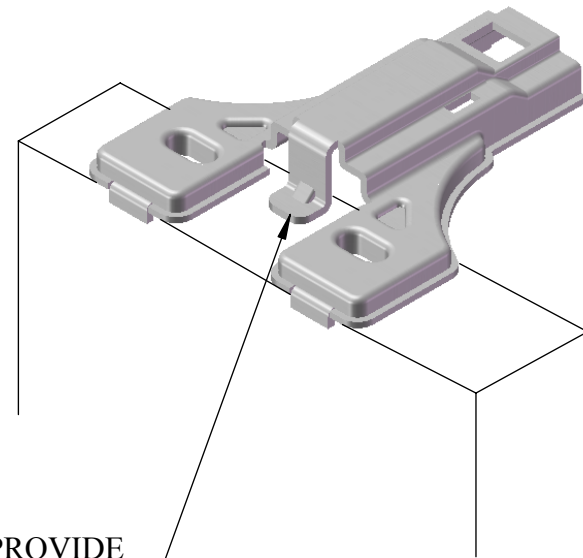
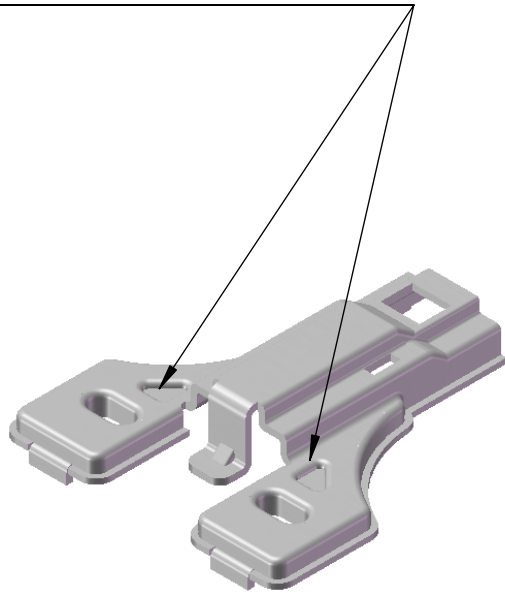


TWO TRIANGULAR INDENTATIONS
PROVIDES EXTRA STRENGTH



THIS TONGUE IN THE MIDDLE WOULD PROVIDE
EXTRA RESISTANCE TO THE BENDING, WHEN PUT
INTO APPLICATION



HARDWARE RESOURCES
4319 MARLENA ST, BOSSIER CITY, LA71111

TOLERANCES

OVER ALL LENGTH $\pm 0.1\text{MM}$
ANGLES $\pm 0^\circ 30'$

PART NAME: STAMPED 3MM PLATE

ITEM NO: 400.3457.65

REV:

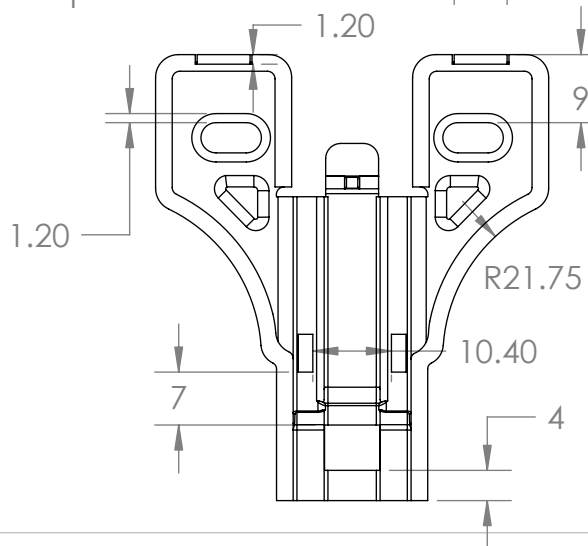
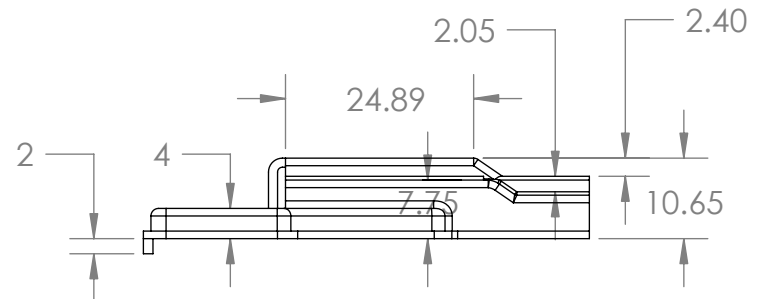
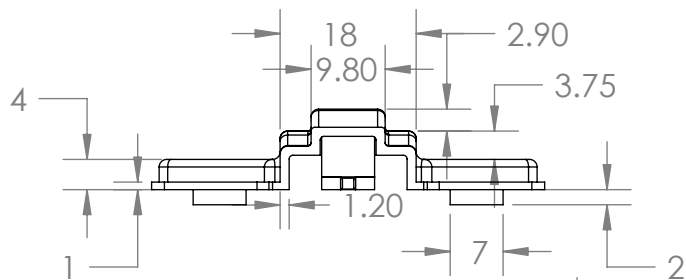
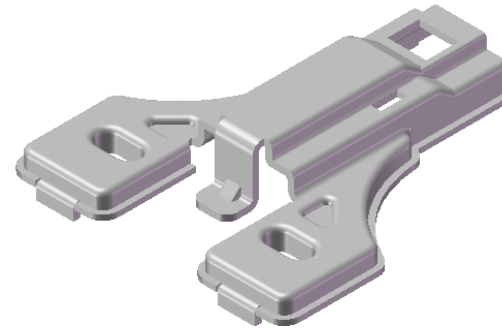
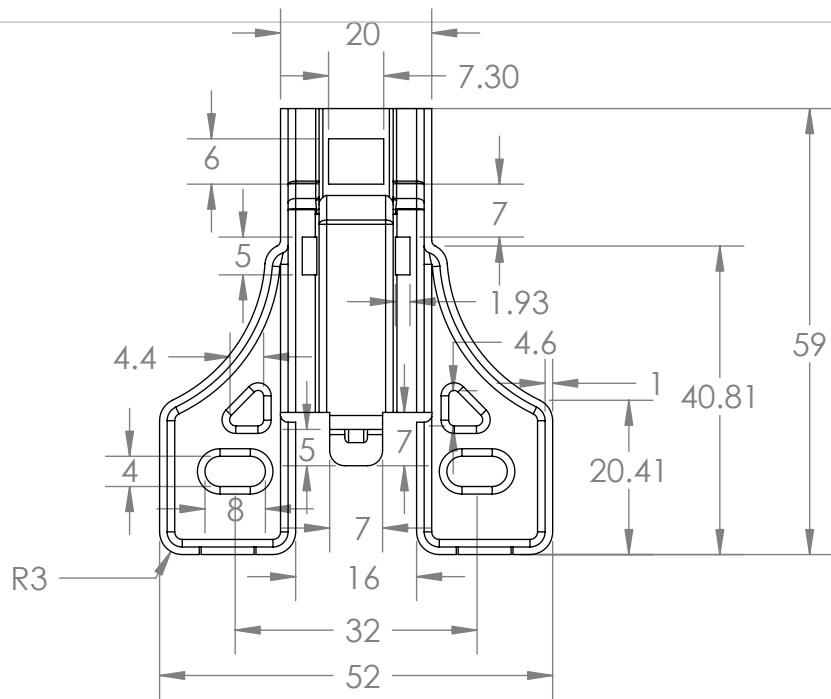
MATERIAL:

DATE: 01/07/07

SHEET: 1/2

BY: UBN

PLATING:



HARDWARE RESOURCES
4319 MARLENA ST, BOSSIER CITY, LA71111

TOLERANCES

OVER ALL LENGTH $\pm 0.1\text{MM}$
ANGLES $\pm 0^\circ 30'$

PART NAME:

ITEM NO: 400.3457.65

REV:

MATERIAL:

DATE: 01/07/07

SHEET: 2/2

BY: UBN

PLATING: